

MAXIMATOR® Maximum Pressure.

High Pressure Technology • Testing Equipment
Hydraulics • Pneumatics



Contact Sales: (661) 251-5069

Technical Data Sheet

Hydraulic Driven Booster

Type HDLE 5-D

Available Models:

- double acting, single stage
- double acting, single stage, double stroke length



figure similar

Technical Data:

Maximum hydraulic drive pressure pH	210 bar / 3.045 psi
Maximum hydraulic flow rate	30 l/min
Pressure ratio i	1:0,68
Minimum gas inlet pressure pA min.	4 bar / 58 psi
Maximum gas inlet pressure pA max.	100 bar / 1.450 psi
Maximum gas outlet pressure pB	100 bar / 1.450 psi
Displacement volume	1492 cm ³
Maximum cycles	60 / min
Stroke length	194 mm

Pressure and flow performances, please see enclosed graph.

Standard connections

Hydraulic drive	1/4" BSP
Gas Inlet	1/2" BSP
Gas Outlet	1/2" BSP
Max. operating temperature	60°C
Weight	27 kg

Approximate Dimensions:

Height:	225 mm
Length:	945 mm
Width:	150 mm

Options:

Inert Gas Flushing for applications with explosive or dangerous gases	
CO2 service	Seal Package: PTFE, NBR

Hydraulic Drive System:

Customized Hydraulic Booster Station

Hydraulic boosters are delivered as complete packages (including the hydraulic supply unit). Through compact and modular construction, the HDLE is able to conform miscellaneous requirements. Available constructions are for example multi-stage applications as well as parallel or single applications.

The hydraulic supply unit can be supplied with fixed displacement pump or variable capacity pump and electric motor. The electrical control system ensures that the hydraulic booster shuts down on reaching the preset operating pressure. As an option, pressure inlet and pressure outlet can be supplied with shut-off valves, pressure gauges and pressure switches. More information is summarized on page 3.

Please consult factory for more information. All technical and dimensional information subject to change. All General Terms and Conditions of sale, including limitations of our liability, apply to all products and services sold.

MAXIMATOR®

Maximum Pressure.

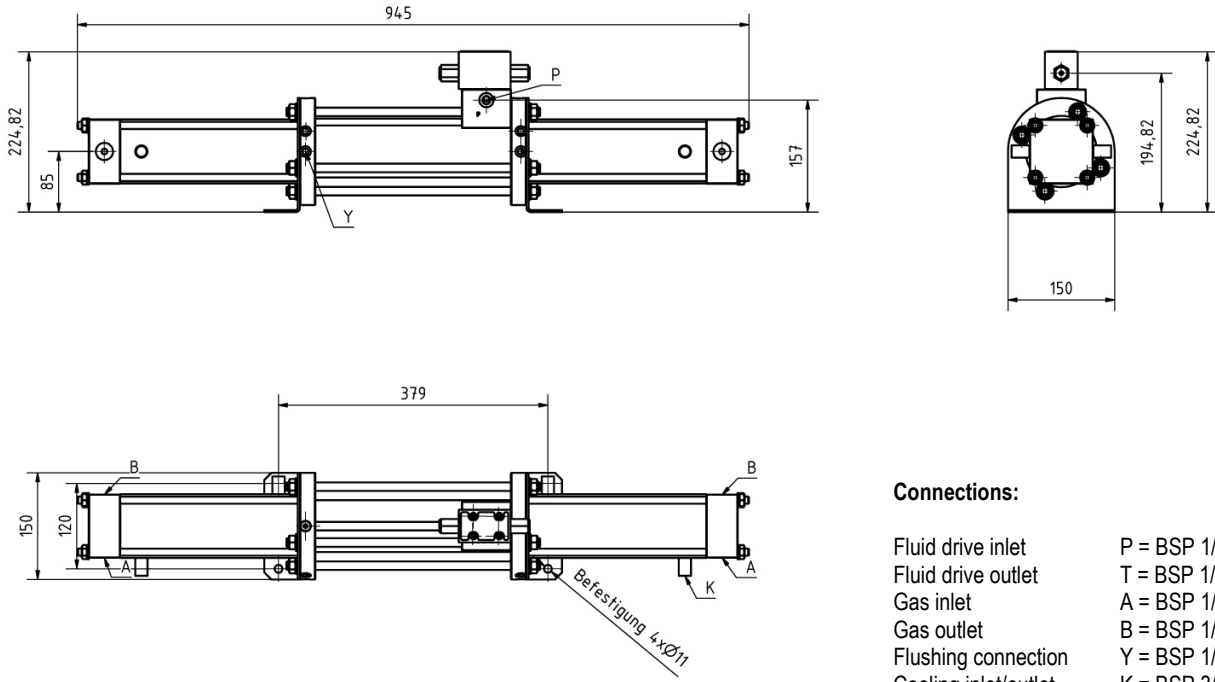
High Pressure Technology • Testing Equipment
Hydraulics • Pneumatics



Contact Sales: (661) 251-5069

Dimensional Drawing

HDLE 5-D



Performance Graph

HDLE 5-D

Leistungsdiagramm HDLE 5 mit doppeltem Hub Performance Graph HDLE 5 with double displacement volume

NOTE: The flow capacity of HDLE remains constant over the entire pressure range.



MAXIMATOR®

Maximum Pressure.

High Pressure Technology • Testing Equipment
Hydraulics • Pneumatics



High Pressure Technologies, LLC.

HPT



Contact Sales: (661) 251-5069

Technical Data Sheet

Hydraulic Booster Station



figure similar

Characteristic Features

- hydraulic supply unit with fixed displacement pump or variable capacity pump and electric motor
- electrical control system for shut down on reaching preset operating pressure
- shut-off valves, pressure gauges and pressure switches for pressure inlet and outlet
- air- or water cooler

Options

- Nitrogen flushing for handling of not inert gases
- Frequency converter for speed control
- thermostatic control for oil-air cooling

Pressure ranges:

- HDLE 2 up to 50 bar
- HDLE 5 up to 100 bar
- HDLE 15 up to 300 bar
- HDLE 30 up to 900 bar

Technical Data

Inlet pressure P_v 2-900 bar

Working pressure P max. 900 bar

Examples for Flow capacities

HDLE 5 with double stroke length

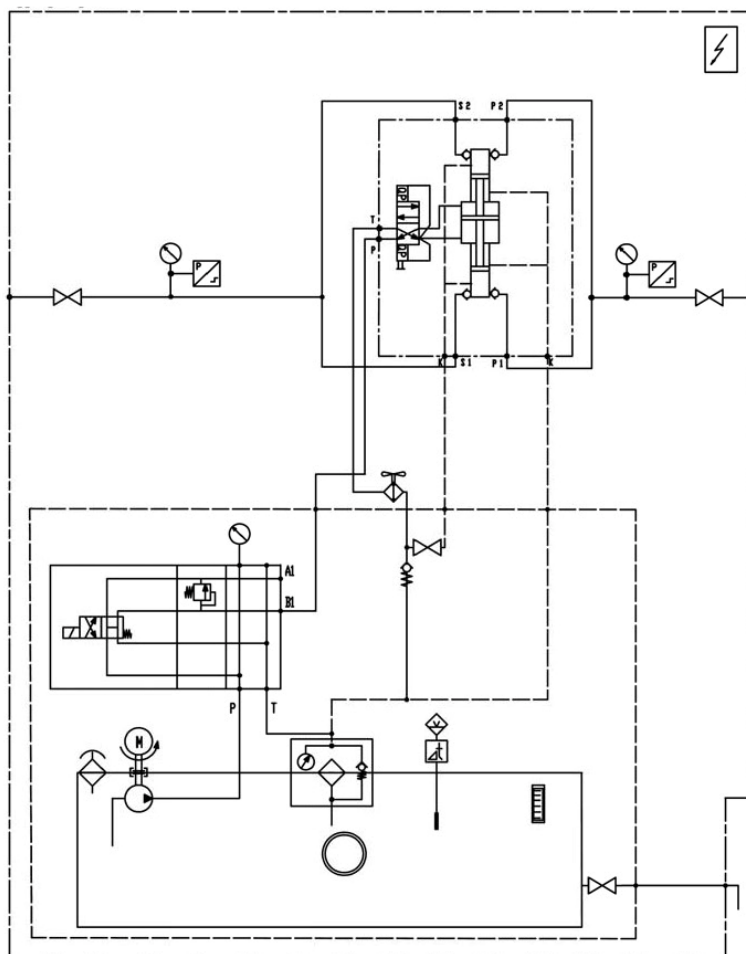
Inlet Pressure	Outlet Pressure	Flow capacity
$P_v = 4$ bar	$P = 100$ bar	$Q \approx 180$ NI/min
$P_v = 12$ bar	$P = 100$ bar	$Q \approx 520$ NI/min
$P_v = 50$ bar	$P = 100$ bar	$Q \approx 2200$ NI/min

HDLE 15 with double stroke length

Inlet Pressure	Outlet Pressure	Flow capacity
$P_v = 10$ bar	$P = 300$ bar	$Q \approx 140$ NI/min
$P_v = 80$ bar	$P = 300$ bar	$Q \approx 1150$ NI/min
$P_v = 150$ bar	$P = 300$ bar	$Q \approx 2100$ NI/min

HDLE 30 with double stroke length

Inlet Pressure	Outlet Pressure	Flow capacity
$P_v = 100$ bar	$P = 900$ bar	$Q \approx 650$ NI/min
$P_v = 300$ bar	$P = 900$ bar	$Q \approx 2000$ NI/min
$P_v = 600$ bar	$P = 900$ bar	$Q \approx 4000$ NI/min



MAXIMATOR®

Maximum Pressure.

High Pressure Technology • Testing Equipment
Hydraulics • Pneumatics



High Pressure Technologies, LLC.

HPT



Contact Sales: (661) 251-5069

