



High Pressure Technologies, LLC.

HPT

26364 Ruether Ave
Santa Clarita, CA 91350 U.S.A.
Tel: (661)-251-5069
Fax: (661)-251-6745
<http://www.highpressuretech.com>

82 SERIES

All Stainless Steel

Multi-Use Compact In-Line Filters

1" HEX-6000 PSI

1-3/4" HEX-3000 PSI



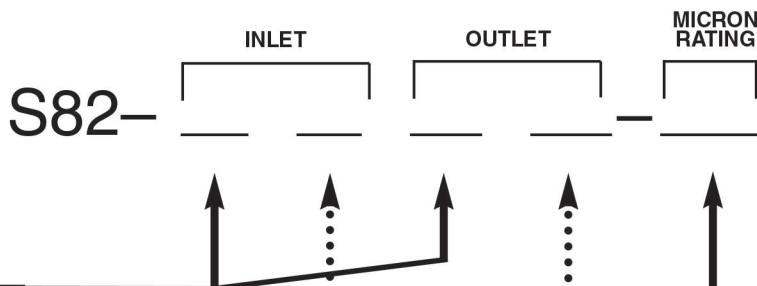
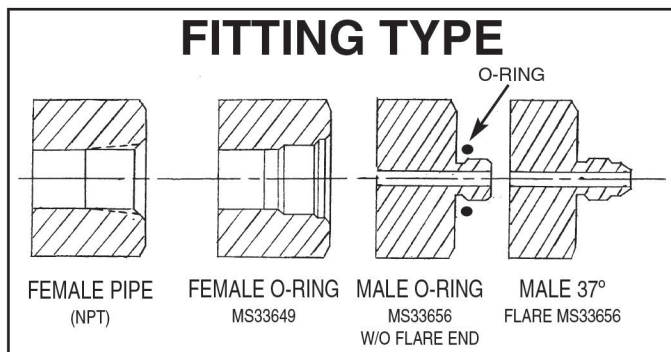
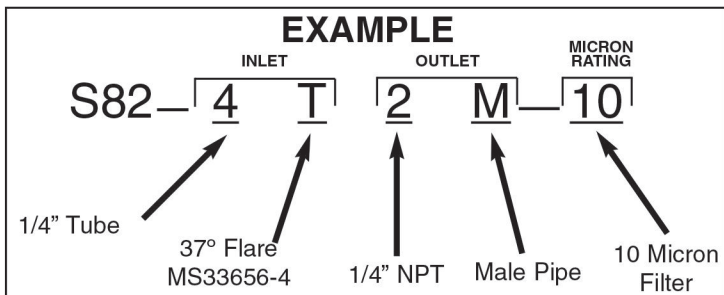
The S82 Series Compact, Low Cost Filter will allow a variety of uses in close quarters, giving super precision protection for your most critical filtration applications.

This compact filter is recommended in applications where the pressure drop is less than 50 PSID.

- ★ S82 compact in-line filters are made of 1" and larger hex 304 stainless steel with precision pleated 304 stainless steel wire mesh discs usable at temperatures of -320°F to +550°F.
- ★ Quick delivery in larger hex sizes rated at 3000 PSI with assorted end connections (ports).
- ★ The element is precision pleated for strength and increased effective area.
- ★ Ideal where space is limited.
- ★ Nine micron ratings ranging from 2 to 300 micron wire mesh and .2 to 100 micron sintered metal.
- ★ Choose your own inlet - outlet porting for your particular application.
- ★ Can be cleaned by backflushing with solvent or other cleaning solutions.
- ★ Special inlet and outlet porting available, our specialty.
- ★ Special materials upon request.
- ★ All Units stamped with arrow for flow direction.
- ★ Inexpensive filter for: Laboratories - Test Stands - Meters - Pneumatic Systems - Gauges - Hydraulic Systems - and much more.

HOW TO ORDER

S82 SERIES COMPACT IN-LINE FILTERS WELDED STAINLESS STEEL 3000 AND 6000 PSI*



FITTING SIZE		
#	Pipe	Tube
1	1/8	-
2	1/4	1/8
3	3/8	3/16
4	1/2	1/4
6	-	3/8
8	-	1/2

FITTING TYPE

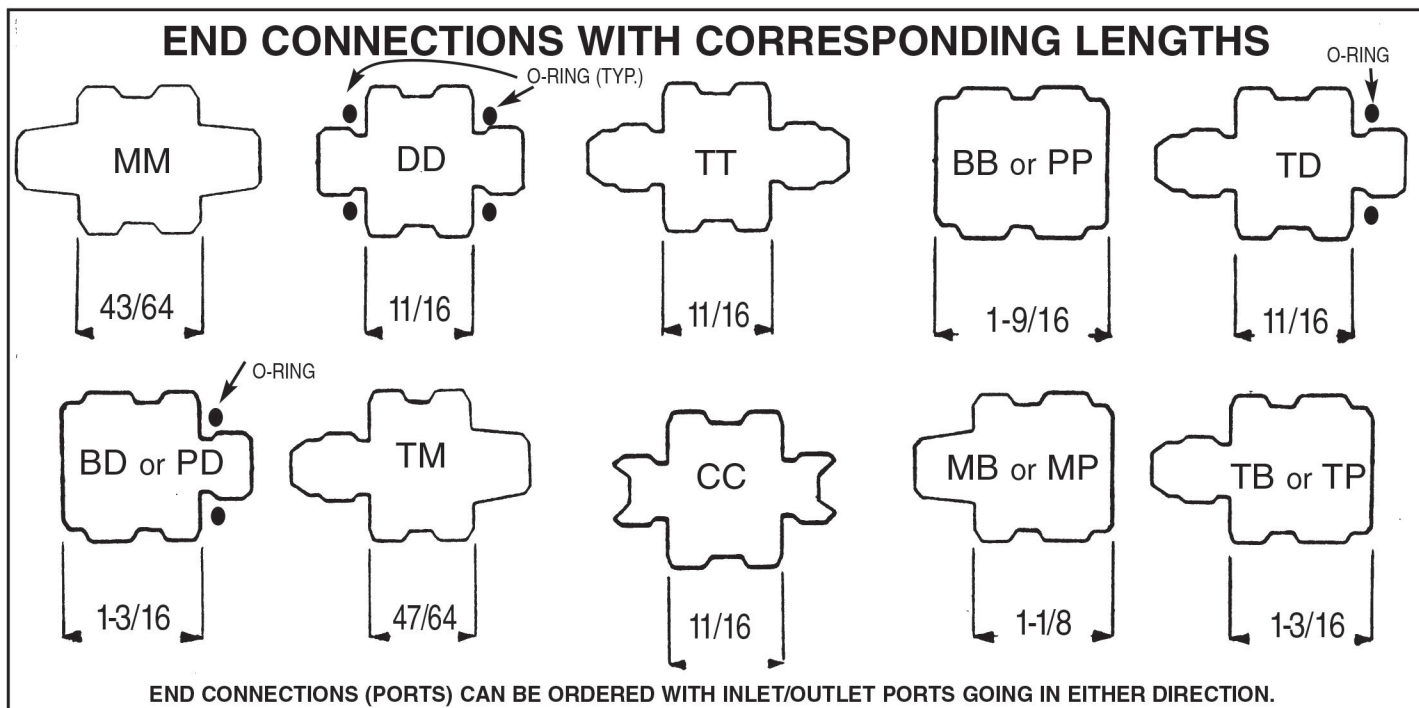
B = Female O-Ring MS33649 C = Compression Rated @ 3000 PSI

D = Male O-Ring P = Female Pipe NPT

M = Male Pipe NPT T = 37° Flare MS33656

MICRON RATING		
#	NOM.	ABS.
2X	2	10
02	2	15
05	5	18
10	10	25
20	20	40
40	40	75
75	75	100
100	100	150
200	200	300

SINTERED METAL		
1PM	.05	.20
2PM	.20	.70
3PM	.3	2
4PM	.8	5



* HEX SIZES OVER 1" ARE RATED AT 3000 PSI.